

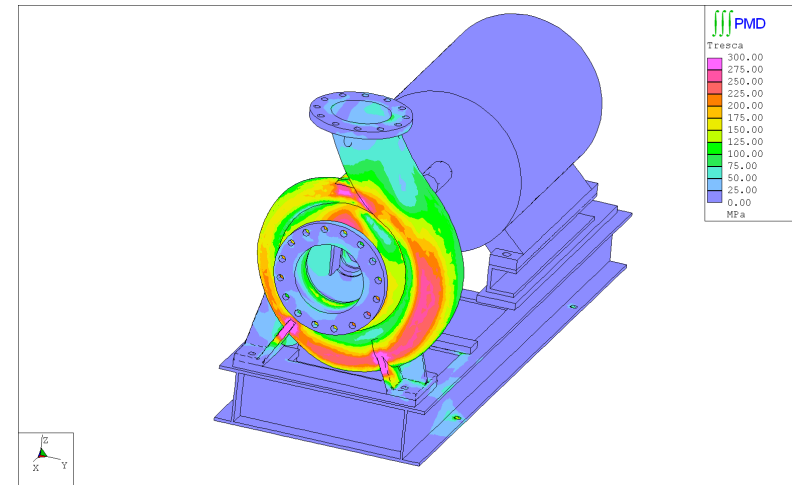
Challenge

Finite element analysis of parts of power plants – analysis of stress, deformation and strain, temperature, fatigue and lifetime.

Using home-made FE code PMD, which was recommended by the "Special Commission for the Analyses of Components and Piping Systems"

Goals

- Estimate static and dynamic strength and lifetime.
- Suggest possible numerical methods and approaches.
- Detailed modelling and analysis of parts of power plants.



Benefits

Based on knowledge of complex responses of thermo-mechanical components of technological parts of power plants we are able to predict their strength and lifetime.

Institute of Thermomechanics of the CAS, v. v. i. in Prague
(gabriel@it.cas.cz ; plesek@it.cas.cz; kolman@it.cas.cz)

Vamet, s.ro. (petrasek@vamet.cz , www.pmd-fem.com)

VAMET
Výpočty a měření v technice

